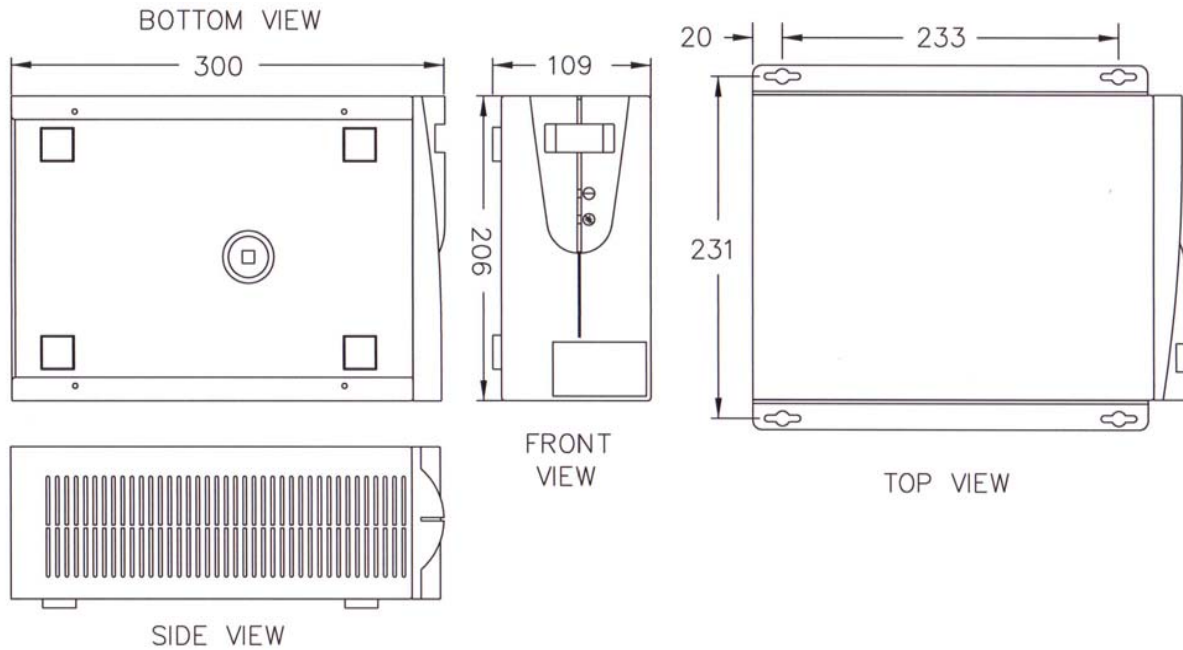


Medical Power Conditioners Specifications
International - Models ABC500-22 - ABC750-22



	ABC500-22MED* Part # 68021-XXR	ABC750-22MED* Part # 68031-XXR
VA Rating	500	750
Frequency	50/60 Hz.	50/60 Hz.
BTU/Hr. Output	85	128
T.H.D. % Added	<1%	<1%
Load Surge Current @		
1/2 cycle	100 amps	130 amps
1 second	48 amps	62 amps
10 seconds	14 amps	18 amps
Input Voltage	200-264	200-264
Output Voltage	200-264	200-264
Output Current	2.08 amps	3.12 amps
Efficiency	95%	95%
Voltage Drop No Load to Full Load	7.2%	6%
Earth Leakage	< 300 μamps	< 300 μamps
Wall mountable*	Yes	Yes
Compliance	IEC60601.1, CE, RoHS	IEC60601.1, CE, RoHS
Shipping Weight (kgs.)	11	13

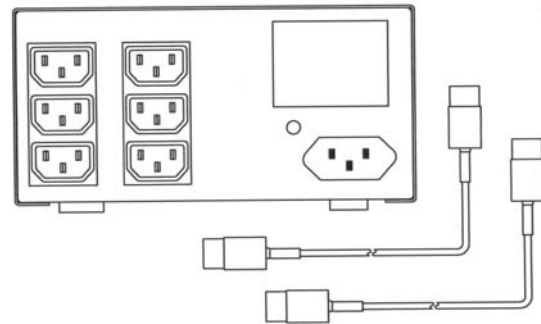
* When ordering by model number, add "W" to model number above for wall mount option.

International Medical Conditioners - "C" Case Enclosure

POWERVAR Part #
ABC500-22MED - 68021-XX**R
ABC750-22MED - 68031-XX**R

When ordering, add two digit number from below in place of **XX to specify option desired.

- 03 - Two IEC320 receptacle strips with two output cords
- 23 - Two IEC320 receptacle strips with two output cords and wallmount adapter



Important Product Note

All POWERVAR international medical power conditioners are listed to IEC60601.1. Medical power conditioners are designed for use in applications where safety concerns require earth leakage currents to be less than 300 μ amps.

NOISE REJECTION-ISOLATION: With unit under power and an ANSI/IEEE C62.41Cat. A pulse applied either normal or common mode at the input, the noise output voltage will be less than 10V normal mode and less than 0.5V common mode in all four quadrants (CM-NM, NM-NM, CM-CM, NM-CM).

SURGE VOLTAGE WITHSTAND CAPABILITY: Tested under power to ANSI/IEEE C62.41 Cat. A & B (formerly IEEE587-1980). Cat. A - 6000V @ 200 amps, 0.5 usec risetime, 100 kHz decay, Cat. B - 6000V @ 500 amps, 0.5 usec risetime, 100 kHz decay.

Warranty/Support: POWERVAR warrants its power conditioners to be free from defects in materials and workmanship for a period of five years from the date of shipment. For North American service or support on any POWERVAR product, please contact POWERVAR Technical Support at (800) 369-7179 (in Illinois call (847-596-7000)). For service and support in EMEA, contact POWERVAR, Ltd. in the United Kingdom at +44 (0) 1793 553980. Or visit the POWERVAR website at www.powervar.com.