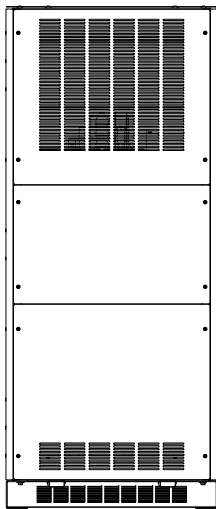
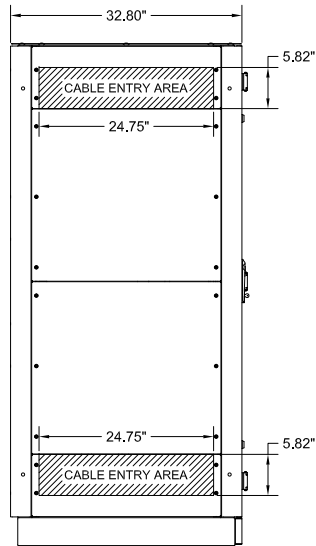


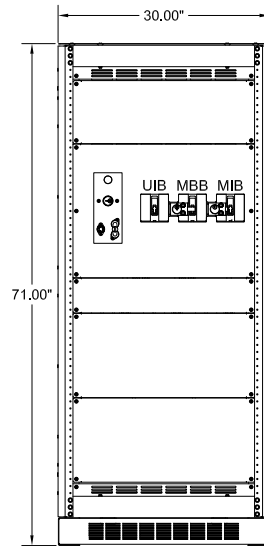
TOP VIEW



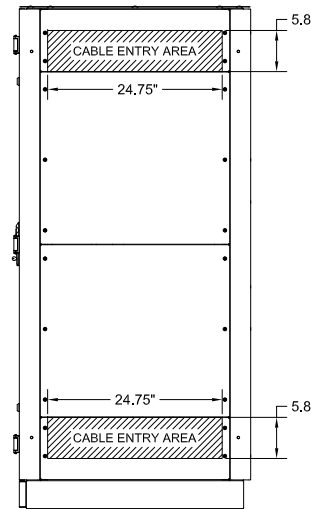
REAR VIEW



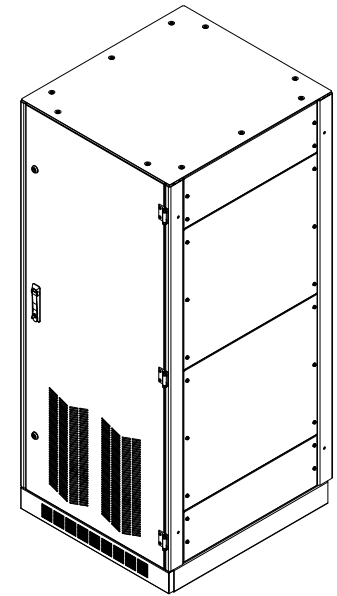
LEFT SIDE VIEW



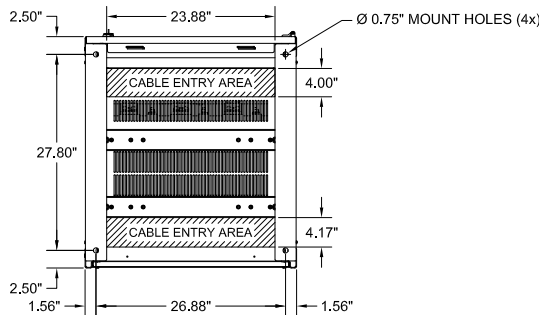
FRONT VIEW
(DOOR REMOVED)



RIGHT SIDE VIEW



ISOMETRIC VIEW



BOTTOM VIEW

NOTES:

- APPROXIMATE WEIGHT:
80KVA UPS MODEL - 1050 LBS.
100KVA UPS MODEL - 1300 LBS.
125KVA UPS MODEL - 1500 LBS.
- ASSEMBLY IS UL/CUL LISTED TO UL 891 AND C22.2 NO. 244.
- NEMA 1 TYPE ENCLOSURE.
- THE CABINET IS CONSTRUCTED FROM GALVANIZED STEEL.
- THE CABINET IS TO BE MOUNTED THROUGH THE 0.750" HOLES IN THE CABINET LEGS. THE LEGS ARE FORMED FROM 10 GAUGE STEEL.
- FINISH IS BLACK POWDER COAT ON ALL EXTERNAL AND VISIBLE SURFACES, INTERIOR PANELS AND MOUNT BRACKETS ARE GALVANIZED FINISH.
- A MINIMUM REAR CLEARANCE OF 6" IS REQUIRED FOR OPTIMAL COOLING OF THE EQUIPMENT.

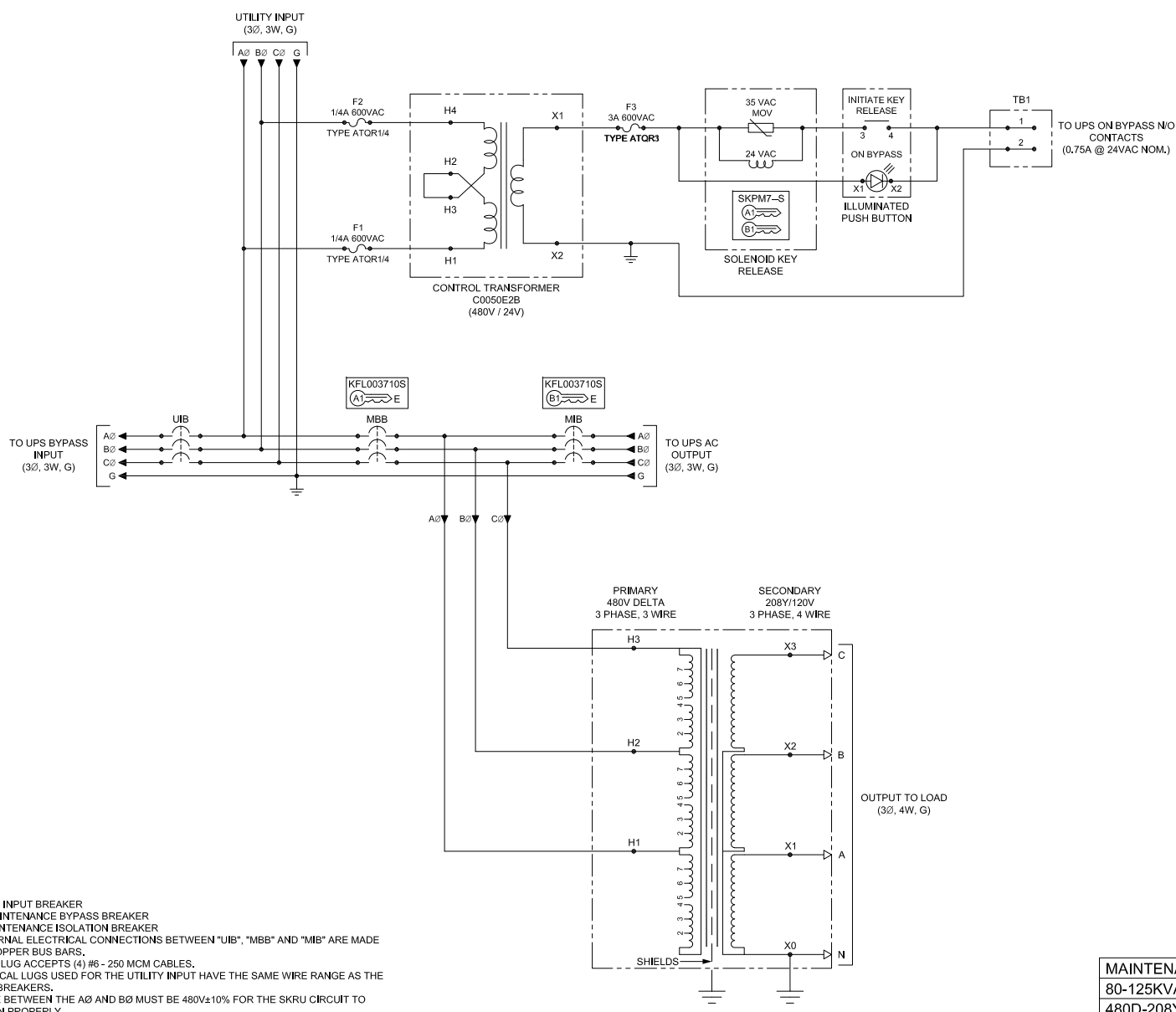
MAINTENANCE BYPASS & TRANSFORMER FOR 3400 SERIES UPS 80-125KVA 3 BREAKER BYPASS WITH SKRU 480D-208Y/120V OUTPUT TRANSFORMER			
<small>THE INFORMATION CONTAINED IN THIS DRAWING IS THE SOLE PROPERTY OF C&C POWER, INC. ANY REPRODUCTION WITHOUT THE WRITTEN CONSENT OF C&C POWER, INC IS PROHIBITED.</small>			
<small>DIMENSIONS ARE IN INCHES</small>		<small>INITIALS</small>	<small>DATE</small>
<small>TOLERANCES:</small> <small>DECIMALS: .XX ±.13</small> <small>ANGLES: .XXX ±.082</small>	<small>DRAWN</small> CH	<small>7/20/2018</small>	
<small>SCALE: SEE A</small>	<small>REVISIONS</small>	<small>CHECKED</small> CH	<small>7/20/2018</small>
<small>NTS</small>		<small>REV: 1</small>	SHEET 1 OF 2

C&C POWER
ENGINEERED POWER PRODUCTS
 WWW.CCPOWER.COM

© 2018 C&C POWER, INC.
 ALL RIGHTS RESERVED

TRANSFORMER RATINGS											
UPS KVA	XFRMR KVA	PRIMARY VOLTAGE	SECONDARY VOLTAGE	FREQUENCY	MATERIAL	TEMP RISE	K FACTOR	I ² %	EFFICIENCY	NEUTRAL	OUTPUT TO LOAD
80	80	480	208Y/120	60 HZ	AL	150°C	K13	4.2	DOE-2016	200% RATED ACCEPTS (2) 6 - 350	(1) 6 - 350 PER PHASE
100	120									200% RATED ACCEPTS (4) 4 - 600	(2) 4 - 600 PER PHASE
125	160										

CIRCUIT BREAKER OPTIONS				
UPS KVA	AIC	BREAKER MODEL	TRIP	WIRE RANGE
80	14K @ 480VAC	FDB3150	150A	(1) 4 - 4/0
	65K @ 480VAC	HFD3150		
100	35K @ 480VAC	FD3175	175A	
	65K @ 480VAC	HFD3175		
125	35K @ 480VAC	FD3225	225A	
	65K @ 480VAC	HFD3225		



- NOTES:
- "UIB" UPS INPUT BREAKER
 - "MBB" MAINTENANCE BYPASS BREAKER
 - "MIB" MAINTENANCE ISOLATION BREAKER
 - ALL INTERNAL ELECTRICAL CONNECTIONS BETWEEN "UIB", "MBB" AND "MIB" ARE MADE USING COPPER BUS BARS.
 - GROUND LUG ACCEPTS (4) #6 - 250 MCM CABLES.
 - MECHANICAL LUGS USED FOR THE UTILITY INPUT HAVE THE SAME WIRE RANGE AS THE CIRCUIT BREAKERS.
 - VOLTAGE BETWEEN THE AØ AND BØ MUST BE 480V±10% FOR THE SKRU CIRCUIT TO FUNCTION PROPERLY.
 - MECHANICAL LUGS ARE PROVIDED FOR THE OUTPUT TO LOAD AND X0 NEUTRAL CONNECTIONS. SEE TRANSFORMER RATINGS TABLE FOR WIRE RANGE INFO.
 - THIS DRAWING IS TO BE USED FOR ELECTRICAL PURPOSES ONLY AND DOES NOT REPRESENT THE ACTUAL MECHANICAL LAYOUT OF THE EQUIPMENT.
- KIRK KEY NOTES:
- THE "E" OR "W" NEXT TO THE INTERLOCK INDICATES THE POSITION OF THE INTERLOCK BOLT WHEN THE KEY IS REMOVABLE, "E" = EXTENDED AND "W" = WITHDRAWN.
 - THE KEY OR KEYS NEXT TO THE INTERLOCK INDICATES THE KEY NUMBER THAT FUNCTIONS WITH THE INTERLOCK.

MAINTENANCE BYPASS & TRANSFORMER FOR 3400 SERIES UPS
80-125KVA 3 BREAKER BYPASS WITH SKRU
480D-208Y/120V OUTPUT TRANSFORMER

THE INFORMATION CONTAINED IN THIS DRAWING IS THE SOLE PROPERTY OF C&C POWER, INC. ANY REPRODUCTION WITHOUT THE WRITTEN CONSENT OF C&C POWER, INC IS PROHIBITED.

C&C POWER
ENGINEERED POWER PRODUCTS
 WWW.CCPOWER.COM

© 2018 C&C POWER, INC.
 ALL RIGHTS RESERVED

DIMENSIONS ARE IN INCHES	INITIALS	DATE
TOLERANCES:	DRAWN CH	7/20/2018
DECIMALS: .XX ±.13	CHECKED CH	7/20/2018
ANGLES: ±1°		
SCALE: SEE A	REV: 1	

SHEET 2 OF 2

DRAWING #: 9983E-V-800KVA-160KVA-480D-208Y-3Ø-3W-3Ø-1-2 REV 1