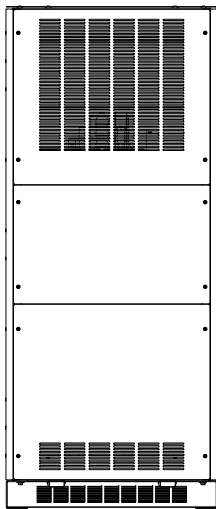
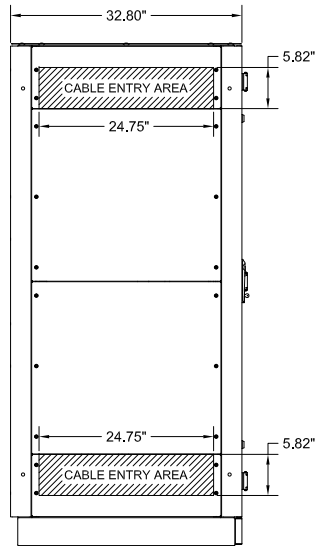


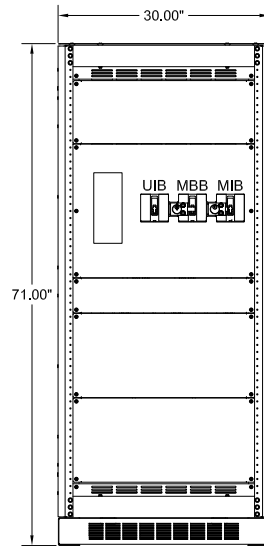
TOP VIEW



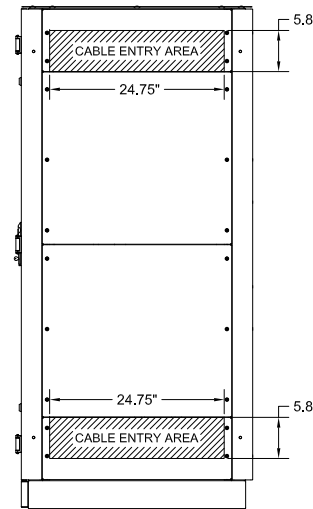
REAR VIEW



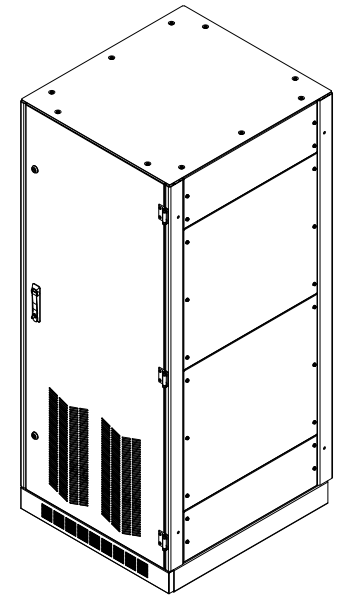
LEFT SIDE VIEW



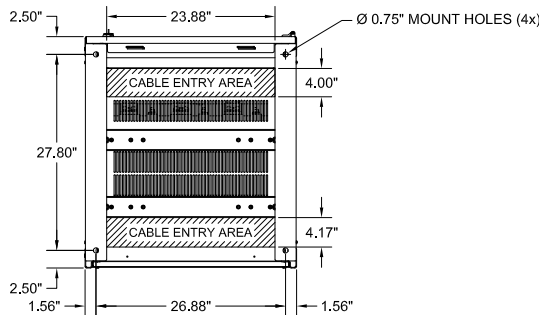
FRONT VIEW  
(DOOR REMOVED)



RIGHT SIDE VIEW



ISOMETRIC VIEW



BOTTOM VIEW

NOTES:

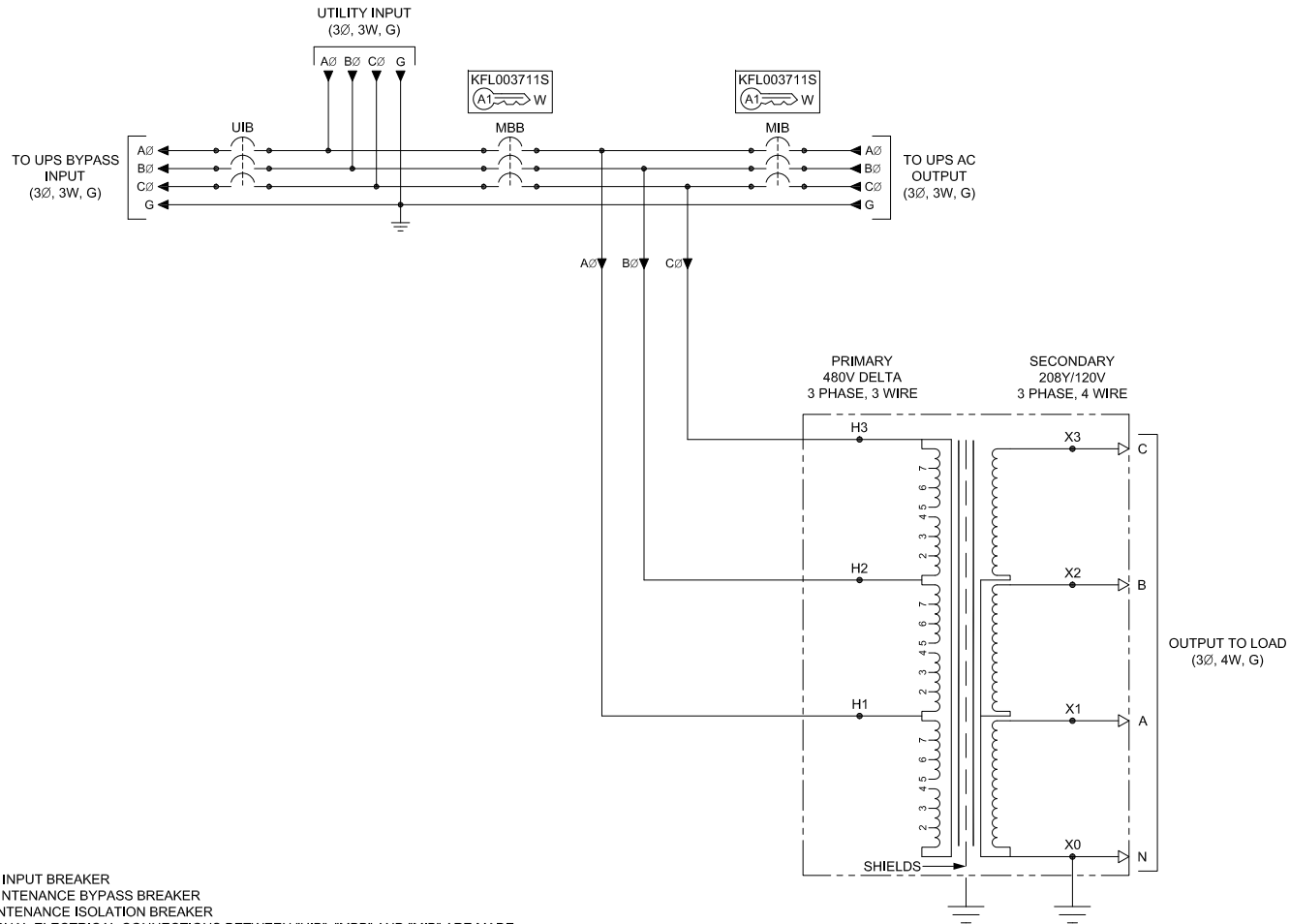
- APPROXIMATE WEIGHT:  
80KVA UPS MODEL - 1050 LBS.  
100KVA UPS MODEL - 1300 LBS.  
125KVA UPS MODEL - 1500 LBS.
- ASSEMBLY IS UL/CUL LISTED TO UL 891 AND C22.2 NO. 244.
- NEMA 1 TYPE ENCLOSURE.
- THE CABINET IS CONSTRUCTED FROM GALVANIZED STEEL.
- THE CABINET IS TO BE MOUNTED THROUGH THE 0.750" HOLES IN THE CABINET LEGS. THE LEGS ARE FORMED FROM 10 GAUGE STEEL.
- FINISH IS BLACK POWDER COAT ON ALL EXTERNAL AND VISIBLE SURFACES, INTERIOR PANELS AND MOUNT BRACKETS ARE GALVANIZED FINISH.
- A MINIMUM REAR CLEARANCE OF 6" IS REQUIRED FOR OPTIMAL COOLING OF THE EQUIPMENT.

<b>MAINTENANCE BYPASS &amp; TRANSFORMER FOR 3400 SERIES UPS</b> <b>80-125KVA 3 BREAKER BYPASS</b> <b>480D-208Y/120V OUTPUT TRANSFORMER</b>			
<small>THE INFORMATION CONTAINED IN THIS DRAWING IS THE SOLE PROPERTY OF C&amp;C POWER, INC. ANY REPRODUCTION WITHOUT THE WRITTEN CONSENT OF C&amp;C POWER, INC IS PROHIBITED.</small>			
<small>DIMENSIONS ARE IN INCHES</small>		<small>INITIALS</small> <small>DATE</small>	
<small>TOLERANCES:</small> <small>DECIMALS: .XX ±.13</small> <small>.XXX ±.082</small>	<small>ANGLES:</small> <small>±1°</small>	<small>DRAWN</small> CH <small>7/20/2018</small>	
<small>SCALE: SEE A</small>		<small>CHECKED</small> CH <small>7/20/2018</small>	
<small>NTS</small>	<small>REV: 1</small>	<small>SHEET 1 OF 2</small>	<b>C&amp;C POWER</b> <b>ENGINEERED POWER PRODUCTS</b> <small>WWW.CCPOWER.COM</small> <b>© 2018 C&amp;C POWER, INC.</b> <b>ALL RIGHTS RESERVED</b>

DRAWING #: 99835-V-80KVA-160KVA-480D-208Y-C2-SD01-1 REV 1

TRANSFORMER RATINGS											
UPS KVA	XFRMR KVA	PRIMARY VOLTAGE	SECONDARY VOLTAGE	FREQUENCY	MATERIAL	TEMP RISE	K FACTOR	I <sup>2</sup> Z	EFFICIENCY	NEUTRAL	OUTPUT TO LOAD
80	80	480	208Y/120	60 HZ	AL	150°C	K13	4.2	DOE-2016	200% RATED ACCEPTS (2) 6 - 350	(1) 6 - 350 PER PHASE
100	120				CU					200% RATED ACCEPTS (4) 4 - 600	(2) 4 - 600 PER PHASE
125	160										

CIRCUIT BREAKER OPTIONS				
UPS KVA	AIC	BREAKER MODEL	TRIP	WIRE RANGE
80	14K @ 480VAC	FDB3150	150A	(1) 4 - 4/0
	65K @ 480VAC	HFD3150		
100	35K @ 480VAC	FD3175	175A	
	65K @ 480VAC	HFD3175		
125	35K @ 480VAC	FD3225	225A	
	65K @ 480VAC	HFD3225		



- NOTES:
- "UIB" UPS INPUT BREAKER
  - "MBB" MAINTENANCE BYPASS BREAKER
  - "MIB" MAINTENANCE ISOLATION BREAKER
  - ALL INTERNAL ELECTRICAL CONNECTIONS BETWEEN "UIB", "MBB" AND "MIB" ARE MADE USING COPPER BUS BARS.
  - GROUND LUG ACCEPTS (4) #6 - 250 MCM CABLES.
  - MECHANICAL LUGS USED FOR THE UTILITY INPUT HAVE THE SAME WIRE RANGE AS THE CIRCUIT BREAKERS.
  - MECHANICAL LUGS ARE PROVIDED FOR THE OUTPUT TO LOAD AND X0 NEUTRAL CONNECTIONS. SEE TRANSFORMER RATINGS TABLE FOR WIRE RANGE INFO.
  - THIS DRAWING IS TO BE USED FOR ELECTRICAL PURPOSES ONLY AND DOES NOT REPRESENT THE ACTUAL MECHANICAL LAYOUT OF THE EQUIPMENT.

- KIRK KEY NOTES:
- THE "E" OR "W" NEXT TO THE INTERLOCK INDICATES THE POSITION OF THE INTERLOCK BOLT WHEN THE KEY IS REMOVABLE, "E" = EXTENDED AND "W" = WITHDRAWN.
  - THE KEY OR KEYS NEXT TO THE INTERLOCK INDICATES THE KEY NUMBER THAT FUNCTIONS WITH THE INTERLOCK.

<b>MAINTENANCE BYPASS &amp; TRANSFORMER FOR 3400 SERIES UPS</b> <b>80-125KVA 3 BREAKER BYPASS</b> <b>480D-208Y/120V OUTPUT TRANSFORMER</b>	
<small>THE INFORMATION CONTAINED IN THIS DRAWING IS THE SOLE PROPERTY OF C&amp;C POWER, INC. ANY REPRODUCTION WITHOUT THE WRITTEN CONSENT OF C&amp;C POWER, INC IS PROHIBITED.</small>	
<small>DIMENSIONS ARE IN INCHES</small> <small>TOLERANCES:</small> <small>DECIMALS: .XX ±.13</small> <small>ANGLES: .XXX ±.082</small>	<small>INITIALS</small> <small>DRAWN CH</small> <small>CHECKED CH</small>
<small>DATE</small> <small>7/20/2018</small> <small>7/20/2018</small>	 <b>ENGINEERED POWER PRODUCTS</b> <small>WWW.CCPOWER.COM</small> <b>© 2018 C&amp;C POWER, INC.</b> <b>ALL RIGHTS RESERVED</b>
<small>SCALE: SEE A</small> <small>NTS</small>	<small>REV: 1</small> <b>SHEET 2 OF 2</b>

DRAWING #: 9983E-V-80KVA-160KVA-180D-208Y-120V-C2-SD01-12-REV1